

## Flexem IoT Expansion Module

### Model: FLink2-WiFi



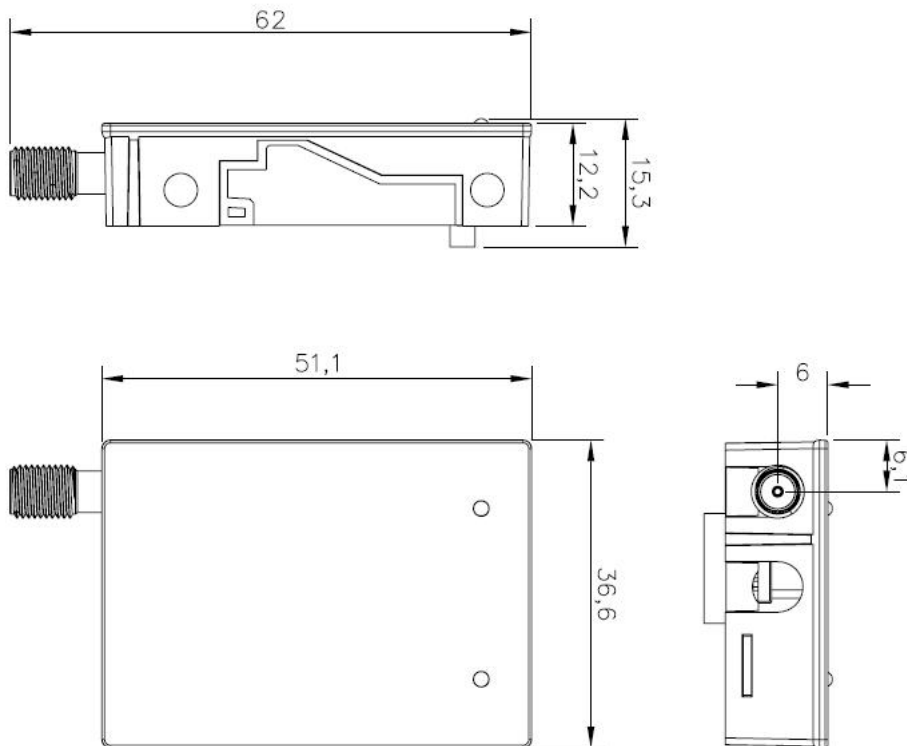
- Supports 350+ industrial protocols, enabling connectivity with the majority of industrial equipment.
- Local data parsing with data transfer to cloud servers.
- Supports edge computing and local data processing
- Supports FLEXEM remote management tools, remote configuration, and diagnostics.
- Supports PLC program upload, download, and monitoring.
- Supports local caching of historical data

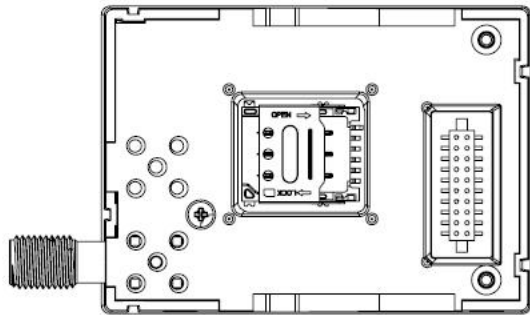
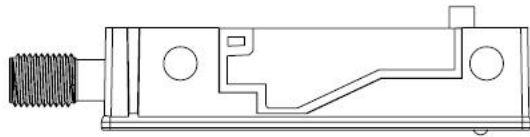
### Product Specifications

	Connectivity Option	Ethernet; WiFi
		WiFi: IEEE 802.11b/g/n compatible WLAN IEEE 802.11e QoS Enhancement (WMM)
	Antenna	FEA-WiFi antennas, need to be purchased independently
Software	VPN Transparent Transmission	Available
	Data Monitoring	300 points, supports scheduled or event-based upload
	Alarm Notification	100 points, support client push, SMS push, WeChat official account push
	Historical Data	30 points, supports restoration of transmission post network interruption, 50k records per point in offline storage, and cloud storage retention for 60 days
	Edge Computing	20 points, Supports script programming
	Network Protocol	Supports over 100 industrial device protocols
	Management and Maintenance	Supports remote firmware upgrade; supports import and export of configuration file
Environmental	Operating Temperature	-10~60°C
	Storage Temperature	-20~70°C
	Environmental Humidity	10~90%RH (non-condensing)

	Vibration Endurance	10~25Hz (X/Y/Z direction 2G/30 minutes)
	Cooling Method	Natural air cooling
Mechanical	Dimensions	37mm×62mm×15.3mm
	Weight	About 30g
	Enclosure Material	ABS Engineering plastic

### Dimension drawings

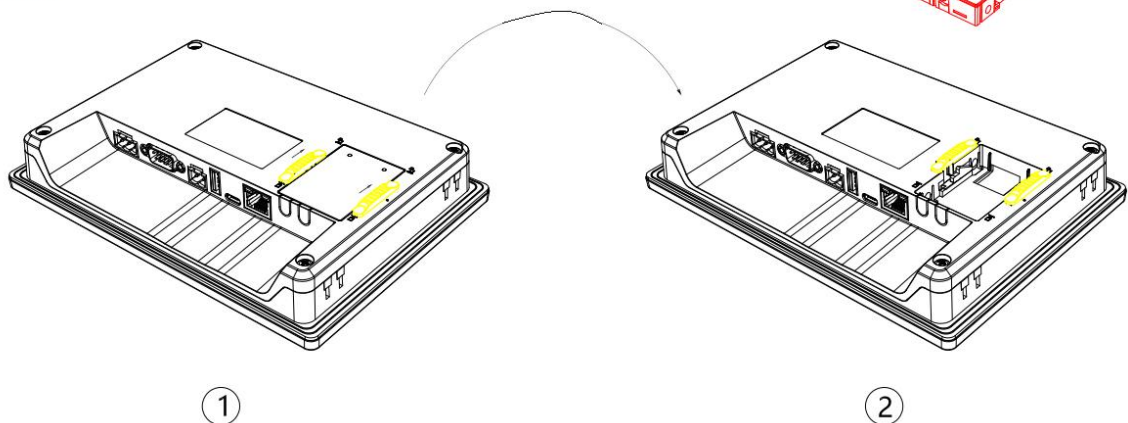
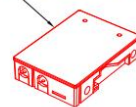




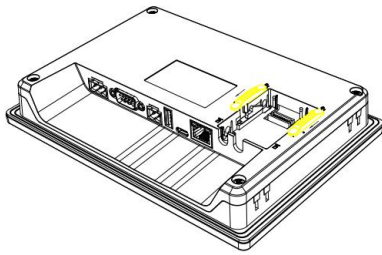
### Installation Illustration

Once the latch is pushed in the direction of the arrow and the module is ejected upwards, the module can be removed

Modules without functions

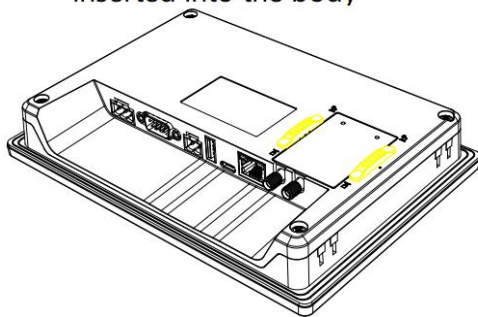


Push the latch in the direction of the arrow to push the latch to the middle position



③

The function module is inserted into the body

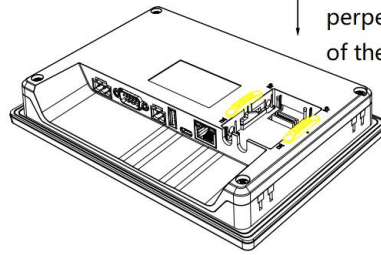


⑤

Functional modules

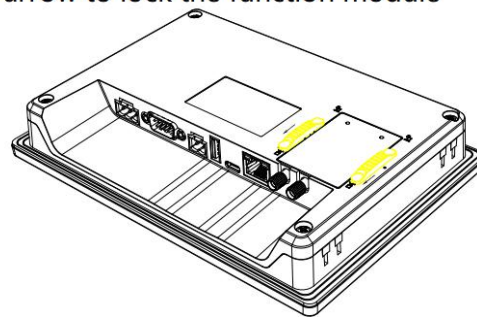


The function module is inserted perpendicularly in the direction of the arrow



④

Push the latch in the direction of the arrow to lock the function module



⑥